



Omni-ID Prox[®] Rigid

Omni-ID Prox Rigid is a small form factor, durable RFID tag for heavy industry and outdoor applications. Omni-ID Prox Rigid features a material agnostic and global design, making it suitable for global asset tracking programs. Encased in a durable Polycarbonate encapsulation, the product is capable of surviving long term use in harsh outdoor environments including applications involving high impact and shock.

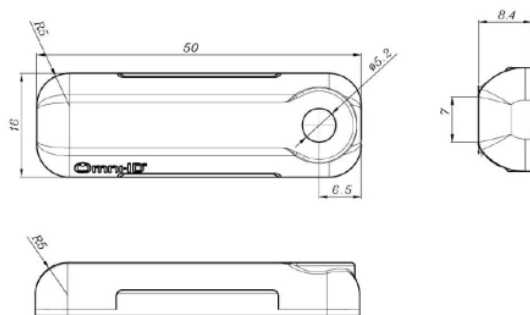
Applications

With its on and off metal read performance and durable encasement, Omni-ID Prox Rigid is ideally suited to Industrial asset management and equipment rental applications, including:

- ▶ Maintenance for deployed field assets.
- ▶ Rental/contracted equipment tracking.
- ▶ Remote IT and comms infrastructure management.

Physical Specifications

Encasement	Polycarbonate
Size (mm) (tolerance)	50 x 16 x 8.4 (+/- 1.0)
Size (in) (tolerance)	1.97 x 0.63 x 0.33 (+/-0.04)
Weight (g)	6.0



Dimensions stated in mm

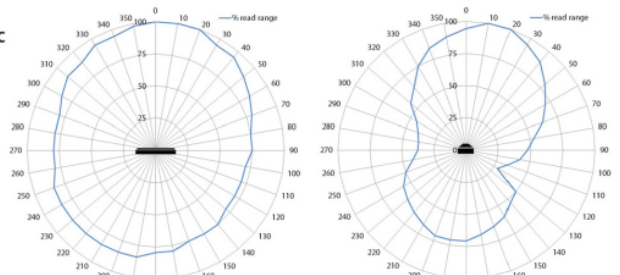
RF Specifications

Protocol	EPC Class 1 Gen2
Frequency Range (MHz)	860–960 (global)
Read Range (Fixed reader) ¹	Up to 3.0m (9.8ft)
Read Range (Handheld reader) ¹	Up to 1.5 (4.9ft)
Material Compatibility	Metal and non-metallic substrates
IC Type (chip)	Alien H3
Memory ²	EPC - 96bits User - 512bits TID - 64bits

1. Quoted performance achieved using standard testing methodology. Read range will vary with reader hardware and output power.
2. EPC and User memory are reprogrammable, TID is locked at point of manufacture.

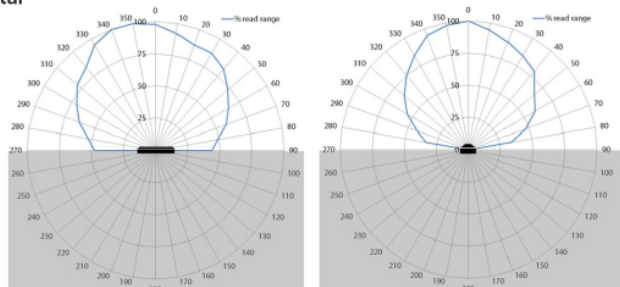
Radiation Patterns

On Plastic



Large Metal

Sheet



Related Products and Services

- ▶ **Omni-ID Prox Fi** - Small form factor, global tag in electrically insulated coating for embedding into equipment.
- ▶ **Omni-ID Max SQ-D**- Extreme durability, long range and global operability in a small, square footprint, on metal RFID tag.
- ▶ **Omni-ID IQ Prox Label**- Small, consistent, product for mixed metal and plastic IT asset management environments.
- ▶ **Service Bureau** - Omni-ID offers a full service bureau for printing and pre-encoding Omni-ID tags at point of manufacture.



Environmental Specification

Operating Temperature	-40 to +85 °C
Long term Max Temperature ¹ exposure - (days,weeks,years)	+85 °C
Short term Max Temperature ¹ exposure - (minutes,hours)	+105 °C
IP Rating	IP68
Shock and Vibration	MIL STD 810-F
Impact	25kg from 1m
Attachment	Manual (std) Film adhesive (option) Standard foam adhesive (option) Premium foam adhesive (option)
Certifications	RoHS approved CE approved ATEX/IECEX certified (option) US&Canada (C1D1/D2) certified (option)
Warranty	3 years

1. Excludes adhesive options, consult adhesive data sheets for recommended temperature ratings.

Ordering Information

Order Numbers	023- GS :304 (ATEX/IECEX certified) :307 (US&Canada (C1D1/D2) certified) :502 (std. film) :507 (std. foam), :508 (premium foam) :701 (Standard Service Bureau) :702 (Custom Service Bureau)
---------------	--

