



## Omni-ID® Exo 800

Omni-ID Exo 800 is long range passive UHF RFID tag capable of reading on, off, and near metal surfaces. Designed in a surprisingly small form factor, the Omni-ID Exo 800 features a rugged design for long term use in outdoor and industrial environments.

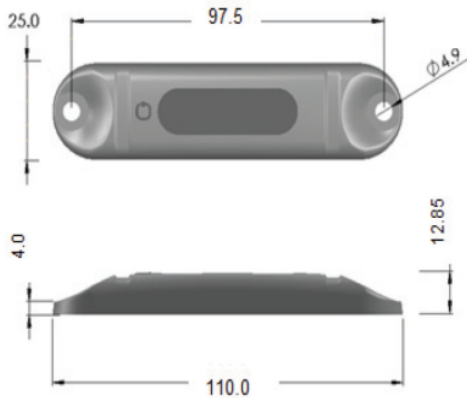
### Building Intelligent Supply Chains

With a long read range and high durability, the Omni-ID Exo 800 is ideally suited to:

- ▶ Manufacturing tote tracking.
- ▶ Logistics and Postal
- ▶ Retail supply chain

### Physical Specifications

Encasement	ABS Rigid Plastic
Size (mm)	110 x 25 x 12.85
Size (in)	4.33 x 0.98 x 0.51
Weight (g)	26.0



Dimensions stated in mm

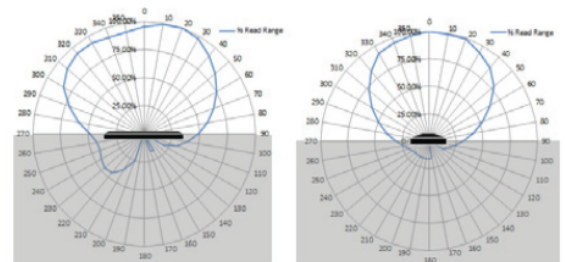
### RF Specifications

Protocol	EPC Class 1 Gen2
Frequency Range (MHz)	860-940 (GS)
Read Range (Fixed reader) <sup>1</sup>	Up to 8.0m (on) EU & US Up to 6.0m (off) EU & US
Read Range (Handheld reader) <sup>1</sup>	Up to 4.0m (on) EU & US Up to 3.0m (off) EU & US
Material Compatibility	Optimized for Metal
IC Type (chip)	Impinj Monza 4QT
Memory <sup>2</sup>	EPC - 96bit User - 512bits TID - 64bits

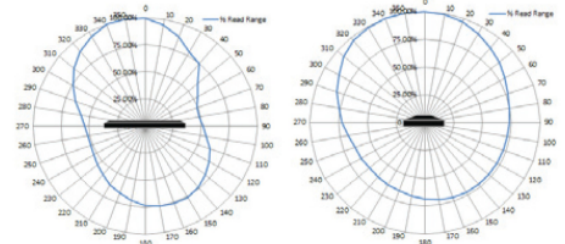
1. Quoted performance achieved using standard testing methodology. Read range will vary with reader hardware and output power.  
2. EPC and User memory are reprogrammable, TID is locked at point of manufacture.

### Radiation Patterns

On Metal



On Plastic



## Related Products and Services

- ▶ **Omni-ID Exo 600** - High performance, global RFID tag designed to meet the diverse needs of logistics industries.
- ▶ **Omni-ID Exo 210**- Low profile, on metal RFID tag optimized for attachment to small metal assets.
- ▶ **Omni-ID Exo 750** - Extreme durability, long range and global operability in a small, square footprint, on metal RFID tag.
- ▶ **Service Bureau** - Omni-ID offers a full service bureau for printing and pre-encoding Omni-ID tags at point of manufacture.



## Environmental Specifications

Operating Temperature	-40 ° to +85 °C
Long term Max Temperature <sup>1</sup> exposure - (days, weeks, years)	+85 °C
Short term Max Temperature <sup>1</sup> exposure - (minutes, hours)	+105 °C
Halt Thermal Cycling 20 ° to +85 °C Exposure Time	250 Cycles
IP Rating	IP68
Shock and Vibration	MIL STD 810-F
Impact <sup>2</sup>	10kg from 1m
Attachment	Mechanical (std) Adhesive Cable Tie
Certifications	RoHS approved CE approved ATEX/IECEx certified (option) US&Canada (C1D1/D2) certified (option)
Warranty	3 years

1. Excludes adhesive options, consult adhesive data sheets for recommended temperature ratings.
2. Testing methodology available on request

## Ordering Information

Order Numbers	077- GS :304 (ATEX/IECEx certified) :307 (US&Canada (C1D1/D2) certified) :701 (Standard Service Bureau) :702 (Custom Service Bureau)
---------------	--

