



Building Intelligent Supply Chains



Omni-ID® Adept 850

Omni-ID's Adept 850 durable High Memory RFID tag is specifically designed to store production data throughout global manufacturing operations. With 64Kbits user memory, a slim profile, tapered corners and secure connections, this tag is ideal for mounting on cycling metal carriers to give years of durable service.

Building Intelligent Supply Chains

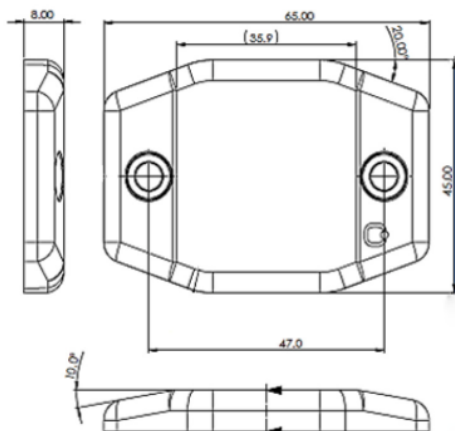
Omni-ID's Adept 850 **High Memory Tag** is an ideal solution for applications where storing process data is important such as:

- ▶ Manufacturing & Supply Chain
- ▶ Automotive
- ▶ Outdoor & Industrial Operations

Physical Specifications

| | |
|--------------------------|--------------------------------|
| Material | ABS |
| Size (mm) (tolerance) | 65 x 45 x 8 +/- 0.5 |
| Size (in) (tolerance) | 2.56 x 1.77 x 0.31 +/- 0.02 |
| Weight (g) | 34 |

Dimensions



Dimensions stated in mm

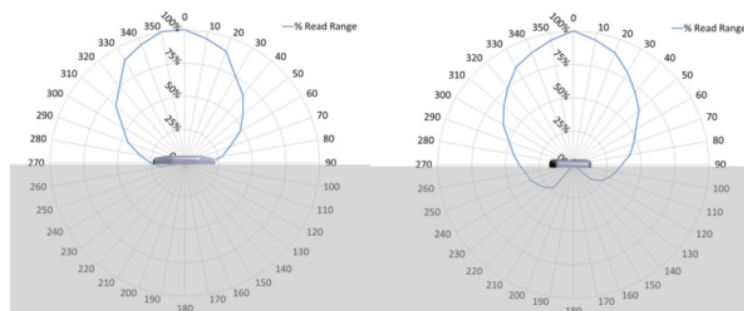
RF Specifications

| | |
|-------------------------|---------------------------------|
| Protocol | EPC Class 1 Gen2 |
| Frequency Range (MHz) | 860-960MHz (global) |
| Read Range ¹ | Up to 8.5 m (27.89ft) |
| Write Range | Up to 4 m |
| On Metal or Balanced | Optimized for metal |
| IC Type (chip) | Qstar-2A |
| Memory ² | EPC - 240bits User - 64Kbits |

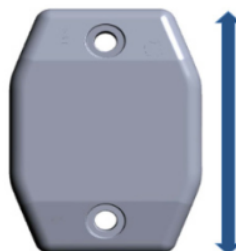
1. Quoted performance achieved using standard testing methodology. Read range will vary with reader hardware and output power.

2. EPC and User memory are reprogrammable

Radiation Patterns



US Tag Polarization



EU Tag Polarization



High memory tags behave as remote agents that intelligently gather, store and provide information where and when it is needed. The following are examples of locations within a manufacturing facility where a High Memory Tag brings value:

- ▶ Engine Carrier tags in assembly operations
- ▶ Trolley and Carrier tags in Power Train operations
- ▶ Dunnage /RTI tags for warehouse operations.



Environmental Specifications

| | |
|----------------------------------|--|
| Storage Temperature ¹ | -20°C to +85°C |
| Operation Temperature | -20°C to +85°C |
| Survivability | -20°C to +85°C |
| IP rating | IP68 |
| Shock and Vibration ² | MIL STD 810-G |
| Attachment ^{3,4} | Rivet/screw (not included) ⁴ Foam adhesive (option) Thin film adhesive (option) |

1. Excludes adhesive options, consult adhesive data sheets for recommended temperature ratings.
2. Testing methodology available on request
3. See polarization images on page 1 for tag placement requirements by band.
4. Riveting is highly recommended for applications above 55°C



Related Products

| | |
|---------|--|
| Exo 600 | High performance, global RFID tag designed to meet the diverse needs of logistics industries. Ideal for returnable transit items. |
| Exo 750 | Extreme durability, long range and global operability in a small, square footprint, on metal, RFID tag. Ideally suited to RTI applications in manufacturing tote tracking and logistics. |
| Exo 800 | A long range passive UHF RFID tag capable of reading on, off, and near metal surfaces. A rugged design, ideal for long term use for returnable transit items. |

Ordering Information

| | |
|--------------|---|
| Order number | 114 GS :307 (US & Canada (C1D1 certified)) :701 (Standard Service Bureau) :704 (Custom Service Bureau) |
|--------------|---|